



PressGuard®DPS100

Differential air pressure switch

Item no. 1383/[Measuring range]

Description of the

The PressGuard®DPS100 air differential pressure switch from SEIKOM Electronic has been developed to recognise even the smallest pressure changes.

The switching point or setpoint can be set directly using the setting knob and the visual scale on the device. An additional pressure gauge is therefore not required.

A transparent cover with protection class IP 54 prevents unintentional adjustment of the setting knob.

The air differential pressure switch can be installed in any vertical plane.

Product highlights

- **Robust pressure transmitter** for industrial applications can be used up to 85°C
- **Compact design** for installation in small spaces
- Protection class **IP54**
- Outstanding **corrosion and wear resistance**
- High **reliability and long service life**

Areas of application

The air differential pressure switches in the PressGuard®DPS100 series have been developed for demanding environments and are used in all areas where precise monitoring of the air flow is essential.

As a result, the PressGuard®DPS100 is used in particular in air duct systems, air filters and dampers in heating and ventilation systems.

General information

Medium	Non-aggressive gases
Device type	Differential pressure gauge
Device type	Compact device
Pressure measuring range	30 ... 300 Pa 50 ... 500 Pa 200 ... 1000 Pa 500 ... 2500 Pa 1000 ... 5000 Pa
Setting the switching point	on an adjustment potentiometer with reference scale and without Setting the pressure gauge
Protection class	IP54
Hose length	2 m

Outputs/inputs

Output signal:	Relay
Switching output specification:	Relay, potential-free changeover contact, (SPDT), normally closed contact (NC) in unpressurised state

Mechanical data

Material of the housing:	Polyamide
Membrane	Silicone
Tolerance	±15%
Max. operating pressure	10kPa
Housing dimensions:	102ø x 58 cm

Electrical data

Connection terminals	6.4mm copper alloy
Electrical switching capacity:	1.5 A (0.4 A) / 250 V

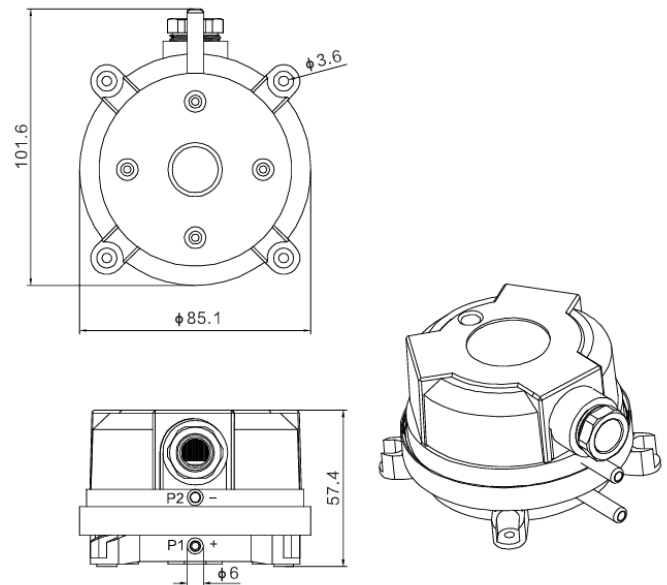
Further information

Pipe connection ø	6.0mm
Assembly	The differential pressure switch can be installed in any vertical plane
Ambient temperature:	-20 ... 85°C
ATEX certification:	none
SIL classification:	none

Order number

PressGuard®DPS100	1383/	1000
Measuring range		
300		30 ... 300 Pa
500		50 ... 500 Pa
1000		200 ... 1000 Pa
2500		500 ... 2500 Pa
5000		1000 ... 5000 Pa

Dimensions



Dimensions in mm

Electrical connection

